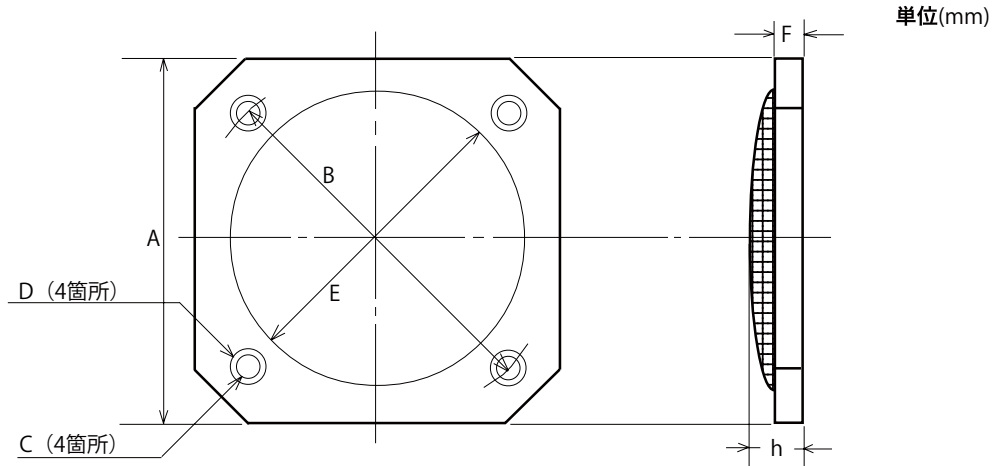


K308 / K312

■外形寸法

型式	A	B	C	D	E	F	h
K308	□ 90	∅86	∅4.1	∅8	∅7	5.0	12.5
K312	□ 128	∅126	∅5.1	∅9	∅10	10.3	24.0



KG810 / KG816/ KG820

■外形寸法

型番	A	B	C	D	E	F	(G)
KG810	∅134	∅115	∅5.0	∅9.0	∅100	12.0	20.0
KG816	∅197	∅174	∅6.0	∅11.0	∅152	18.0	28.0
KG820	∅237	∅213	∅6.0	∅11.0	∅190	18.0	30.0

