

Unite CC

Cockpit Case



Picture of closed Unite CC-24P



Picture of opened Unite CC-24P with 6 charging modules each of them with 4 charging compartments

FEATURES

- Case for charging, transport and storage with various functions
- Button for pairing process
- Status indicator for pairing process
- Switch for "Pairing & Charging" or "Charging"
- Reset button
- Ethernet connection for:
 - Firmware update
 - Pairing
 - Remote control and monitoring
- USB connection for:
 - Pairing
 - Charging
- Removable and lockable cover with automatic locks
- Ergonomic carrying handle
- Rugged wooden construction with laminated cover and reinforced aluminium frame
- Stackable casing corners
- Lateral plastic feet
- Active fan
- Integrated power supply with switchable IEC mains connection with fuse
- Optional:
 - more charging compartments so that up to 36 charging compartments for bodypack receivers/transmitters are available
 - Charging compartment for handheld transmitter and separate storage compartment
 - Soft case for accessories

VERSION

Unite CC-24P Case for charging, transport and storage, with max. 24 charging compartments for bodypack receivers / transmitters, network connection, integrated power supply Order # 713.074

APPLICATION

The Unite CC is a multifunctional device, which is used to charge the batteries integrated in the Unite bodypack transmitters and receivers as well as to store and transmit the pairing information (group ID and channel name) from the transmitter to the receiver. For optimal security against unauthorised listening a key will be generated inside the Unite CC and transmitted to the transmitters and receivers during the pairing process.

The Unite CC can be integrated into a network by using the Ethernet connection. When using the Unite Manager software, the case can be monitored remotely. Furthermore, firmware updates and configurations can be carried out via this software.

For transport the Unite CC is equipped with an ergonomic carrying handle. The practical Unite CC also serves as storage for the Unite bodypack transmitters and receivers.

The Unite CC-24P version is provided with a maximum of 24 charging compartments. The charging status of the batteries is indicated by a status indicator on the transmitter or receiver.

TECHNICAL SPECIFICATIONS

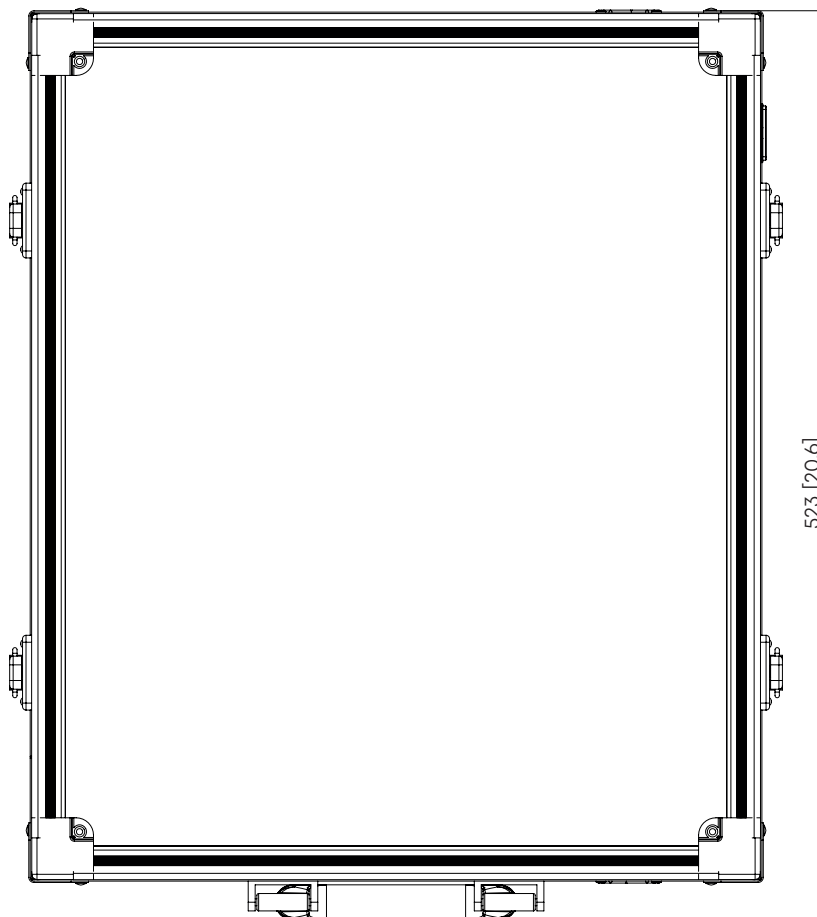
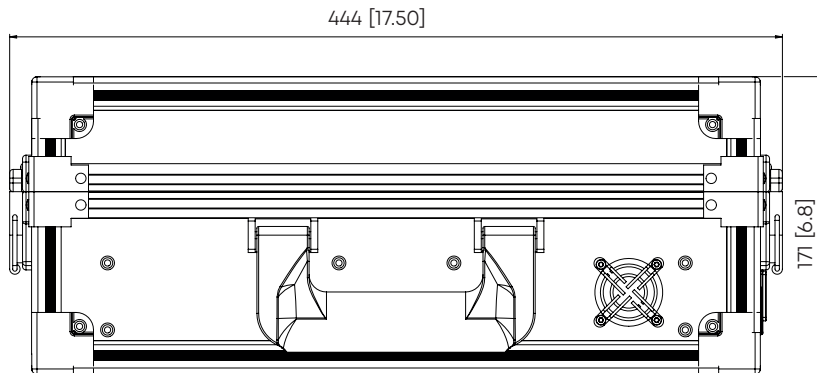
AC input	100 – 240 V, 50/60 Hz
Fuse	2 x F 4A L 250V
Nominal current	2.5 A
Power consumption	max. 100 W
Max. charging time	4 hours
Connections	Ethernet
	USB type C
	Power connector with switch
Ambient temperature	-5 to +40 °C
Dimensions	
incl. handle, base (l x w x h) ...	523 x 444 x 171 mm
	[20.6" x 17.5" x 6.8"]
Weight	
Unite CC-24P version	approx. 10 kg

SUPPLIED ACCESSORIES

- Power cable
- Key
- Quick Start Guide

Unite CC

DIMENSIONS



All dimensions in mm and [inch].

2 of 2

beyerdynamic GmbH & Co. KG
Theresienstr. 8 · 74072 Heilbronn – Germany
Tel. +49 (0) 71 31 / 617 - 300 · info@beyerdynamic.de · www.beyerdynamic.com

For further distributors worldwide, please go to www.beyerdynamic.com
Non-contractual illustrations. Contents subject to change without notice. E1 / Unite CC (10.18)

beyerdynamic